

DH-SD29204T-GN-W

2MP 4x IR PTZ Wi-Fi Network Camera



- 1/2.7" 2Megapixel CMOS
- Powerful 4x optical zoom
- Support Triple-streams encoding
- WDR, Day/Night(ICR), Ultra DNR
- Max. 25/30fps@1080P, 25/30/50/60fps@720P
- IVS
- Support Wifi
- IR distance up to 30m



System Overview

Lite series is a range of attractively priced mini PTZ dome camera with compact design. The series is ideal for entry level applications, comprises outdoor and indoor cameras that are esthetically designed to blend in with a building. With pan at speeds of up to 400°/s, and tilt at speeds of up to 200°/s, the lite series ensures complete and timely video capture across a large area. It offers industry-leading IR capability of up to 100m, and IP66 and IK10 protection ratings. They are perfect for remote monitoring of applications such as airports, stores, banks, hotels, office lobbies and etc.

Functions

Wide Dynamic Range

The camera achieves vivid images, even in the most intense contrast lighting conditions, using industry-leading wide dynamic range (WDR) technology. For applications with both bright and low lighting conditions that change quickly, True WDR (120 dB) optimizes both the bright and dark areas of a scene at the same time to provide usable video.

Smart H.264+

Delivering high quality video without straining the network, Smart H.264+ is the optimized implementation of H.264. The Smart H.264+ encoding platform includes a scene adaptive encoding strategy, dynamic GOP, dynamic ROI, flexible multi-frame reference structure and intelligent noise reduction, providing a savings of up to 70% of bandwidth and storage when compared with standard H.264.

Environmental

Dahua cameras operate in extreme temperature environments, rated for use in temperatures from -30 °C to +60 °C (-22 °F to +140 °F) with 95% humidity.

Interoperability

The camera conforms to the ONVIF (Open Network Video Interface Forum) and PSIA (Physical Security Interoperability Alliance) specifications, ensuring interoperability between network video products regardless of manufacturer.

Technical Specification

Camera

Image Sensor	1/2.7" CMOS
Effective Pixels	1920(H) x 1080(V), 2 Megapixels
RAM/ROM	256M/128M
Scanning System	Progressive
Electronic Shutter Speed	1/1s~1/30,000s
Minimum Illumination	Color: 0.05Lux@F1.6; 0Lux@F1.6 (IR on)
S/N Ratio	More than 50dB
IR Distance	Distance up to 30m (98ft)
IR On/Off Control	Auto/Manual
IR LEDs	4

Lens

Focal Length	2.7mm~11mm
Max. Aperture	F1.6
Angle of View	H: 112.5° ~ 30°
Optical Zoom	4x
Focus Control	Auto/Manual
Close Focus Distance	100mm~ 1000mm

DORI Distance

*Note: The DORI distance is a "general proximity" of distance which makes it easy to pinpoint the right camera for your needs. The DORI distance is calculated based on sensor specification and lab test result according to EN 62676-4 which defines the criteria for Detect, Observe, Recognize and Identify respectively.

Detect	Observe	Recognize	Identify
120m(394ft)	48m(157ft)	24m(79ft)	12m(39ft)

PTZ

Pan/Tilt Range	Pan: 0° ~ 360° limited; Tilt: 0° ~ 90°
Manual Control Speed	Pan: 0.1° ~100° /s; Tilt: 0.1° ~60° /s
Preset Speed	Pan: 100° /s; Tilt: 60° /s
Presets	300
PTZ Mode	5 Pattern, 8 Tour, Auto Pan ,Auto Scan
Speed Setup	Human-oriented focal Length/ speed adaptation
Power up Action	Auto restore to previous PTZ and lens status after power failure
Idle Motion	Activate Preset/ Scan/ Tour/ Pattern if there is no command in the specified period
Protocol	DH-SD

Intelligence

Auto Tracking	N/A
IVS	Tripwire, Intrusion, Abandoned/Missing, Face Detection

Video

Compression	H.264+/H.264/MJPEG
Streaming Capability	3 Streams
Resolution	1080P(1920x1080)/720P(1280x720)/D1(704x576/704x480)/CIF(352x288/352x240)
Frame Rate	Main stream: 1080P/D1(1 ~ 25/30fps), 720P(1~50/60fps)
	Sub stream1: D1/CIF(1 ~ 25/30fps)
	Sub stream2: 720P/D1/CIF (1 ~ 25/30fps)
Bit Rate Control	CBR/VBR
Bit Rate	H.264+/H.264: 448K ~ 8192Kbps, MJPEG: 5120K ~ 10240Kbps
Day/Night	Auto(ICR) / Color / B/W
Backlight Compensation	BLC / HLC / WDR (120dB)
White Balance	Auto,ATW,Indoor,Outdoor,Manual
Gain Control	Auto / Manual
Noise Reduction	Ultra DNR (2D/3D)
Motion Detetion	Support
Region of Interest	Support
Electronic Image Stabilization (EIS)	N/A
Defog	Support
Digital Zoom	16x
Flip	180°
Privacy Masking	Up to 24 areas

Audio

Compression	G.711a/G.711u(32kbps)/PCM(128kbps)
-------------	------------------------------------

Network

Ethernet	RJ-45 (10Base-T/100Base-TX)
Wi-Fi	Support
Protocol	IPv4/IPv6,HTTP,HTTPS,SSL,TCP/IP, UDP,UPnP, ICMP,IGMP,SNMP,RTSP,RTP, SMTP, NTP,DHCP, DNS,PPPOE,DDNS,FTP, IP Filter,QoS,Bonjour,802.1x
Interoperability	ONVIF, PSIA, CGI
Streaming Method	Unicast / Multicast
Max. User Access	20 users
Edge Storage	NAS (Network Attached Storage),Local PC for instant recording, Micro SD card 128GB
Web Viewer	IE, Chrome, Firefox, Safari
Management Software	Smart PSS, DSS
Smart Phone	IOS, Android

Certifications

Certifications	CE: EN55032/EN55024/EN50130-4 FCC: Part15 subpartB,ANSI C63.4- 2014 UL: UL60950-1+CAN/CSA C22.2.No.60950-1
----------------	--

Interface

Video Interface	N/A
Audio Interface	Built-in Mic
RS485	N/A
Alarm I/O	N/A

Electrical

Power Supply	DC 12V/1.5A
Power Consumption	10W,13W (IR on)

Environmental

Operating Conditions	-30°C ~ 60°C (-22°F ~ +140°F) / Less than 90% RH
Ingress Protection	N/A
Vandal Resistance	N/A

Construction

Casing	Metal
Dimensions	Ø132.7 (mm) x 117.9 (mm)
Net Weight	0.95kg(2.09lb)
Gross Weight	1kg(2.20lb)

Ordering Information

Type	Part Number	Description
2MP PTZ Camera	DH-SD29204T-GN-W	2MP 4x IR PTZ Wi-Fi Network Camera, WDR, PAL
	DH-SD29204TN-GN-W	2MP 4x IR PTZ Wi-Fi Network Camera, WDR, NTSC
	SD29204T-GN-W	2MP 4x IR PTZ Wi-Fi Network Camera, WDR, PAL
	SD29204TN-GN-W	2MP 4x IR PTZ Wi-Fi Network Camera, WDR, NTSC
Accessories	PFB302S	Wall Mount
	PFA103	Mount Adapter
	DC12V/2A	Power Supply
	PFB300C	Ceiling Mount
	PFA150	Pole Mount
	PFA151	Corner Mount

Accessories

Optional:



PFB302S
Wall Mount



PFA103
Mount Adapter



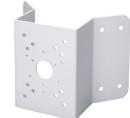
DC12V/2A
Power Supply



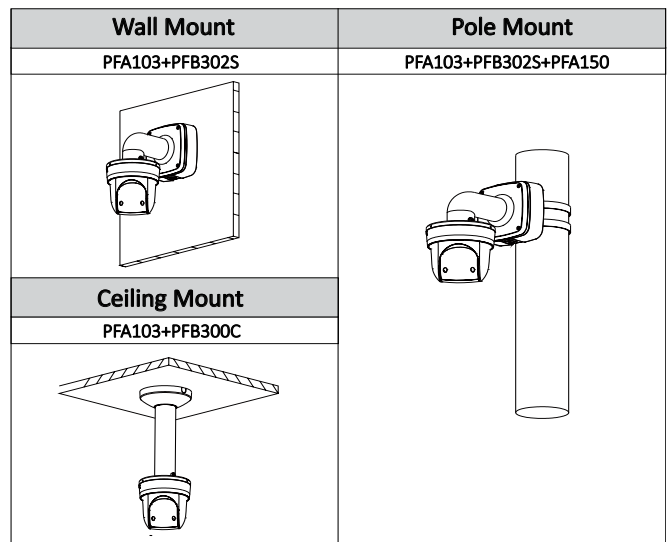
PFA150
Pole Mount



PFB300C
Ceiling Mount



PFA151
Corner Mount



Dimensions (mm)

