


- The fire control panel enters Fire condition and the relay, corresponding to the chosen line, is activated (example: Rel1 – for line 1);
- If the relay is configured with normally open contact, then in Fire condition it is closed;
- Press button  to reset the fire control panel. The relay (e.g.: Rel1) should be reset to its initial position;
- If no other relay of another line is going to be tested, reset the delay of the fire control panel to its initial settings (0, 1, 2, 3, 4 or 5 minutes).

### ATTENTION! The relays of Extension Module do not commutate 220V!

## 2. Testing the interface part

The interface part RS485 of the Extension Module FD 4201 is tested as a part of a network consisting of repeater FS5200R and remote fire control panels. The parameters of the repeater have to be defined correctly for realization of the connection. The network address and the data exchange speed along RS485 in a fire control panel, equipped with an extension module are fixed:

- The fire control panel network address coincides with its serial number;
- the data exchange speed is fixed – 9600 bits/s.

### Complete set

PC Board Extension Module	- 1 pc.
Ribbon cable	- 1 pc.
Instruction manual	- 1 pc.
Package	- 1 pc.

### Technical service

It should be done only by an authorized person as it includes the actions for the technical service of the fire control panel.

### Warranty

The warranty period is 18 months from the date of sale.

The manufacturer guarantees the normal performance of the unit providing that the operation requirements set herewith have been observed.

The manufacturer does not bear warranty liabilities for damages caused through accidental mechanical damage, misuse, adaptation or modification after production.

The manufacturer bears warranty liabilities for damages in the unit caused through manufacturer's fault only.

Manufacturer  
UniPOS LTD  
47 San Stefano Str. Pleven 5800  
<http://www.unipos-bg.com>

## Extension Module Type FD 4201 Instruction Manual 03.10

### General Description

Module FD 4201 expands the options of fire control panel FS4000.

It allows:

- Connection of fire control panel FS4000 in a system of a repeater FS5200R and/or several remote fire control panels FS4000, FS5100, FS5200, FS5200E;
- Commanding the fire control panel from the repeater within a network of remote fire control panels
- Control of a relay output for each line that is in Fire condition.

The module could work only with the latest version of the fire control panel FS4000 (fire control panels with serial numbers after 4000). It is manufactured in 4 variants corresponding to the nomenclature of the produced fire control panels FS4000, with 2, 4, 6 or 8 lines, respectively with 2, 4, 6 or 8 relay outputs.

Interface RS485 is an integral part of the module and it is offered in all variants.

The module includes:

- Interface RS485 for connection with repeater FS5200R;
- Potential free relays for Fire condition (one to each line of the fire control panel FS4000).

The unit consists of an installation base, PC board and ribbon cable.

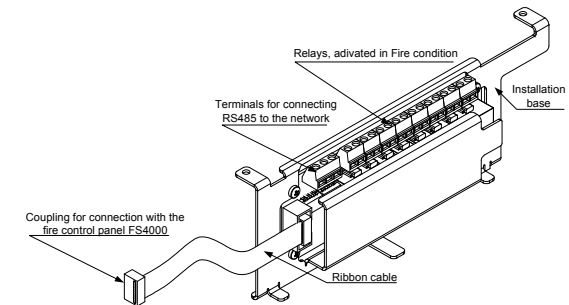


Fig.1

The communication between the fire control panel and the extension module FD 4201 is executed via a ribbon cable, connecting the fire control panel and the unit. The module is power supplied along the ribbon cable.

### Technical Data

Relay outputs for Fire condition

- type potential free, switching
- power supply 3A/125VAC; 3A/30VDC

Interface RS485

- network address fixed – coincides with the serial number of the fire control panel
- data exchange speed fixed – 9600 bits/s.

Operational temperature range

from минус 5°C to 40°C

Relative humidity resistance

max 93% at 40°C

Dimensions

180 x 65 x 25 mm

Weight

0,160 kg

## Installation

Install the unit by observing the following sequence:

### 1. Preparation of the Extension Module for installation:

1.1. Unpack the module.

1.2. Configure the jumpers of the relay contacts by means of pincers (normal open or normal close) depending on the specific project, pos. 4 (fig. 2).

1.3. Shunt the interface RS485 line (see Instruction Manual of Fire Control Panel FS4000):

- if the connected fire control panel is the first or the last one in the created local network, switch the jumper in the module, pos. 1 (fig. 2). The module is delivered with switched terminating jumper;
- if the fire control panel is not final one (first or last) – the jumper is switched off.

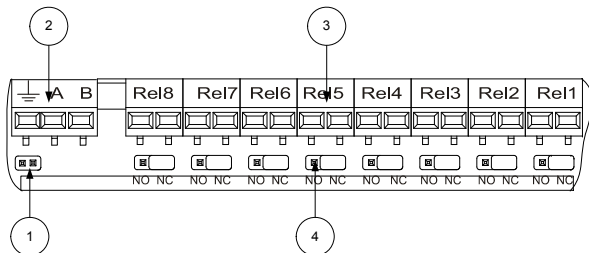


Fig.2

### 2. Installation of Extension Module FD 4201 in fire control panel FS4000

2.1. Open the front cover of the fire control panel.

2.2. Remove fuse Fu1 from the jack, pos. 1 (fig. 3).

2.3. Disconnect the wires from the terminals of the backup batteries, pos.2 (fig.3).

2.4. Unscrew both screws, pos.3 (fig.3).

2.5. Place the module as it is shown on fig. 4 and fixed it by means of both screws, pos. 3 (fig.3).

2.7. Connect the ribbon cable to the module, pos. 4 (fig.3) and to the coupling of the fire control panel, pos. 5 (fig.3). The couplings are provided with a slot, determining the direction of the connection.

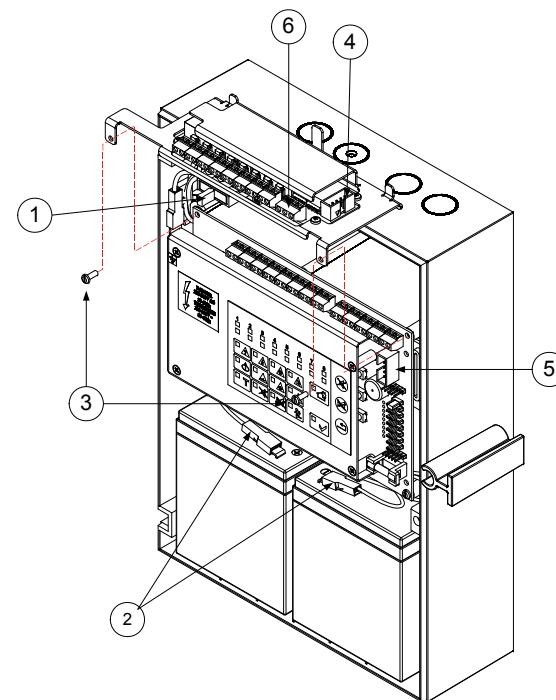


Fig.3

### 3. Connecting the interface and the commutated output devices

3.1. Pass the connecting wires of the local network and the monitored devices through the respective holes in the fire control panel box.

3.2. The wires of the local network are connected to terminals “A” and “B” of the extension module, pos. 2 (fig. 2).

3.3. Connect the circuits of the monitored devices to the fire condition relays, pos. 3 (fig. 2), according to the specific project.

#### 4. Switching the fire control panel with installed module FD 4201

4.1. Place the mains fuse of the fire control panel Fu1 in its jack, pos. 1 (fig. 3).

4.2. Connect the backup battery power supply, pos.2 (fig.3). The fire control panel enters Duty Mode.

4.3. Close the front cover of the fire control panel.

**The entered delay for the monitored outputs of the fire control panel refers to the relays of Extension Module FD4201 too.**

## Testing

Extension Module FD 4201 is tested after installation as an element of the fire control panel or after maintenance activities.

### 1. Testing of the relay part

Set delay of the outputs “0” minutes in the fire control panel by means of jumper J1 (see Instruction Manual of Fire Control Panel FS4000);

- Simulate fire condition in a randomly chosen line (for example: line 1);